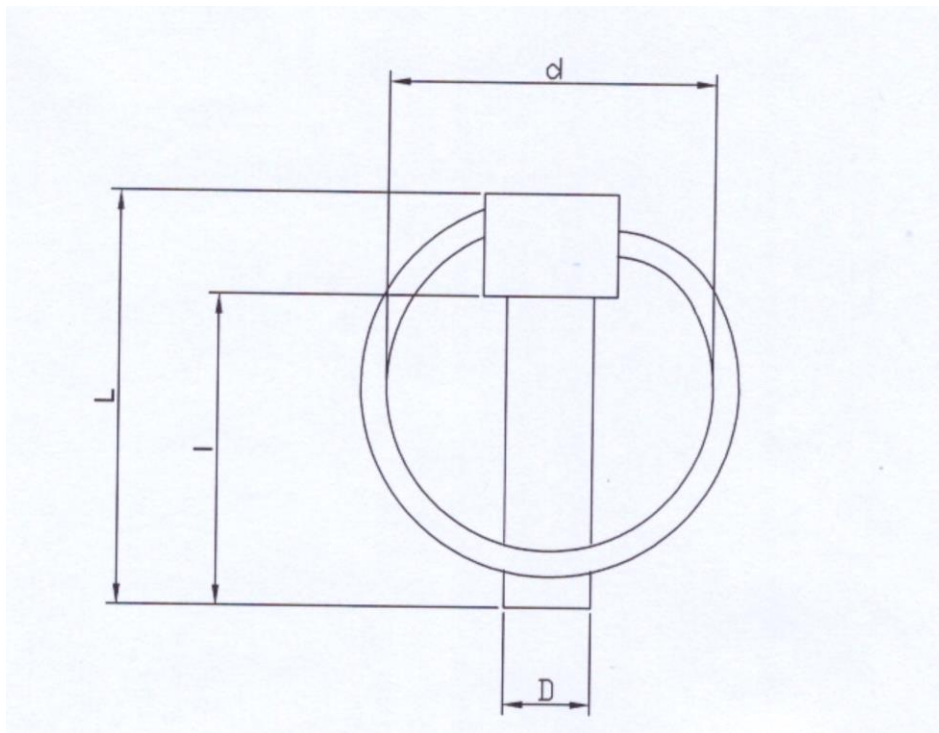


# LINCH PIN

## ΑΣΦΑΛΕΙΑ ΑΡΟΤΡΟΥ



| LINCH PIN<br>-<br>ΑΣΦΑΛΕΙΑ<br>ΑΡΟΤΡΟΥ | L  | l  | D   | d  |
|---------------------------------------|----|----|-----|----|
| No4.5                                 | 43 | 35 | 4.5 | 33 |
| No6                                   | 50 | 45 | 6   | 38 |
| No7                                   | 50 | 45 | 7   | 42 |
| No8                                   | 55 | 45 | 8   | 42 |
| No9                                   | 55 | 45 | 9   | 42 |
| No10                                  | 55 | 45 | 10  | 42 |
| No11                                  | 55 | 45 | 11  | 42 |

### **“ZENITH”**

**CHRIS DIMITRAKOPOULOS & Co.**

**HIGH ACCURACY COMPONENTS**

**7<sup>th</sup> KLM OREOKASTRO – THESSALONIKI – GREECE**

**P.O. BOX 40130 – P.C. 56000**

**TEL.: +30 2310 696514 – FAX : +30 2310 696524**

